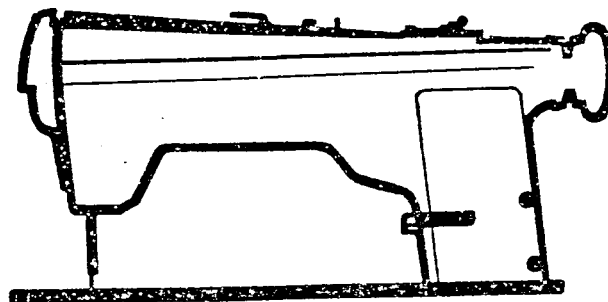


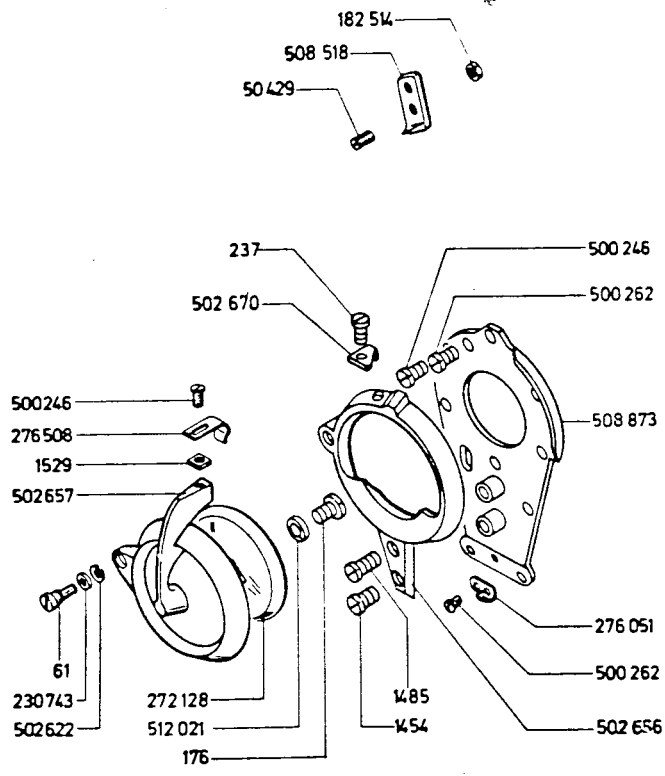
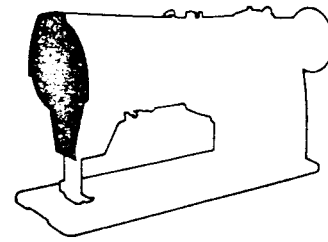
SINGER

ILLUSTRATED PARTS LIST



457 G 103

457 G 113



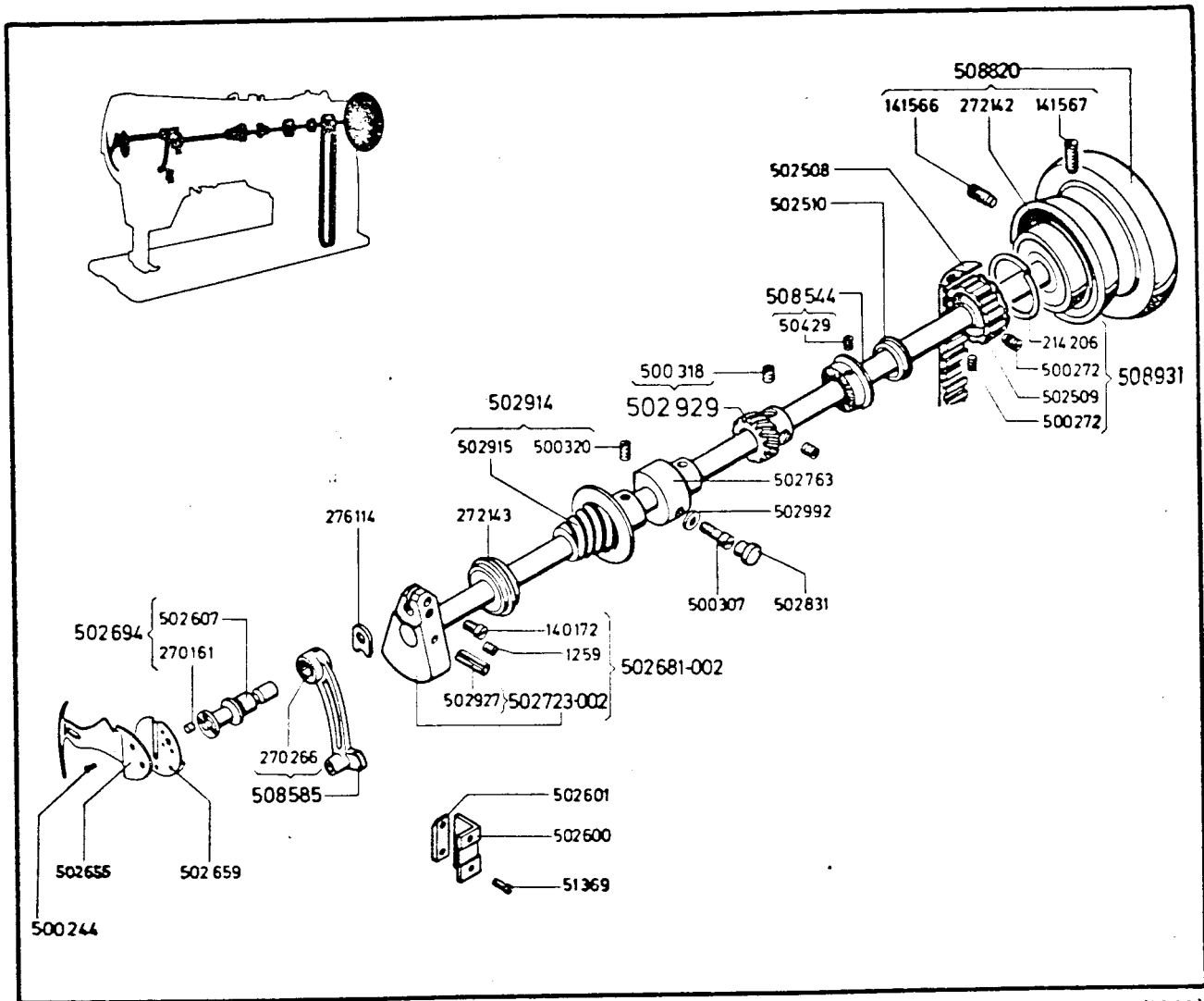
457G103-100(1270)

000061-850 ROTARY TAKE-UP GUARD HINGE SCREW
 000176-850 ROTARY TAKE-UP GUARD COVER WINDOW SCREW
 000237-833 THREAD CUTTER (ON ROTARY TAKE-UP GUARD SCREW)
 001454-850 ROTARY TAKE-UP GUARD SCREW (SHORT)
 001485-850 ROTARY TAKE-UP GUARD SCREW (LONG)
 001529-850 SPRING CATCH SCREW NUT
 050429-833 THREAD CUTTER (ON FACE PLATE) ADJUSTING SCREW
 182514-819 THREAD CUTTER (ON FACE PLATE) ADJUSTING SCREW NUT
 230743 HINGE SCREW THRUST WASHER
 272128 ROTARY TAKE-UP GUARD COVER WINDOW
 276051 THREAD GUIDE (ON FACE PLATE)
 276508 ROTARY TAKE-UP GUARD SPRING CATCH

500246-850 FACE PLATE SCREW (8)
 500246-850 ROTARY TAKE-UP GUARD SPRING CATCH SCREW
 500262-833 THREAD GUIDE (ON FACE PLATE) SCREW
 500262-833 THREAD CUTTER (ON FACE PLATE) SCREW
 502622 ROTARY TAKE-UP GUARD HINGE SCREW SPRING WASHER
 502656 ROTARY TAKE-UP GUARD
 502657 ROTARY TAKE-UP GUARD COVER
 502670 THREAD CUTTER (ON ROTARY TAKE-UP GUARD)
 508518 THREAD CUTTER (ON FACE PLATE)
 508873 FACE PLATE
 512021 ROTARY TAKE-UP COVER WINDOW WASHER

PART NO. DESCRIPTION

PART NO. DESCRIPTION



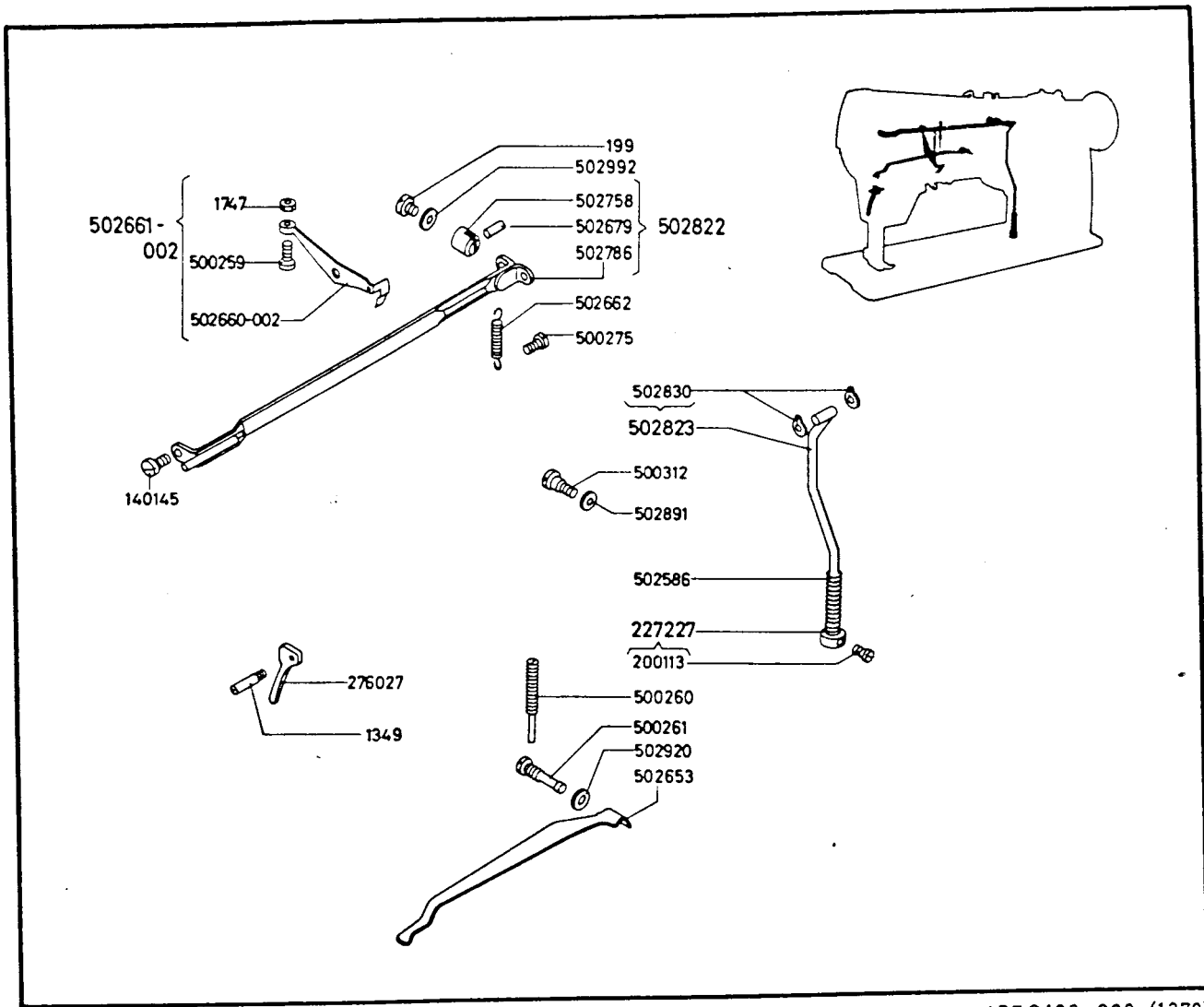
457 G103-200-(1270)

001259-830	NEEDLE BAR CRANK STUD POSITION SCREW
050429-833	BOBBIN WINDER DRIVING WHEEL SCREW
051369-850	NEEDLE BAR CONNECTING LINK CLAMPING PLATE SCREW (2)
140172-833	NEEDLE BAR CRANK STUD PINCH SCREW
141566-833	MACHINE PULLEY POSITION SCREW
141567-833	MACHINE PULLEY SET SCREW
214206	ARM SHAFT CONNECTION BELT PULLEY SPRING FLANGE
270161	NEEDLE BAR CRANK STUD PIN
270266	NEEDLE BAR CONNECTING LINK NEEDLE BEARING
272142	MACHINE PULLEY BALL BEARING
272143	ARM SHAFT BALL BEARING
276114	NEEDLE BAR CONNECTING LINK THRUST WASHER
500244-850	ROTARY TAKE-UP SCREW (2)
500272-830	ARM SHAFT CONNECTION BELT PULLEY SCREW
500272-830	ARM SHAFT CONNECTION BELT PULLEY POSITION SCREW
500272-830	ARM SHAFT BUSHING (CENTER) SCREW
500307-830	NEEDLE VIBRATING PINION SET SCREW (2)
500318-830	NEEDLE VIBRATING PINION SET SCREW (2)
500320-830	ARM HEAD OIL DRAIN WICK SLINGER SET SCREW (2)
502508	ARM SHAFT CONNECTION BELT
502509	ARM SHAFT CONNECTION BELT PULLEY
502510	ARM SHAFT OIL SHIELD

502600	NEEDLE BAR CONNECTING LINK GUIDE BLOCK
502601	NEEDLE BAR CONNECTING LINK CLAMP PLATE
502607	NEEDLE BAR CRANK STUD
502655	ROTARY TAKE-UP
502659	ROTARY TAKE-UP MOUNTING DISC
502681-002	ARM SHAFT WITH 1259, 140172 AND 502723-002
502694	NEEDLE BAR CRANK STUD WITH 270161 AND 502607
502723-002	ARM SHAFT AND NEEDLE BAR CRANK WITH 502927
502763	ARM SHAFT BUSHING (CENTER)
502831	ARM SHAFT BUSHING (CENTER) SCREW PLUG
502914	ARM HEAD OIL DRAIN WICK SLINGER CPL. NOS. 502915 AND TWO 500320
502915	ARM HEAD OIL DRAIN WICK SLINGER
502927	ARM SHAFT AND NEEDLE BAR CRANK PIN
502929	NEEDLE VIBRATING PINION WITH TWO 500318
502992	ARM SHAFT BUSHING (CENTER) SCREW GASKET SCREW
508544	BOBBIN WINDER DRIVING WHEEL CPL. WITH TWO 50429
508585	NEEDLE BAR CONNECTING LINK WITH 270266
508820	MACHINE PULLEY WITH 141566, 141567 AND 272142
508931	ARM SHAFT CONNECTION BELT PULLEY CPL. NOS. 214206, 502509 AND TWO 500272

PART NO. DESCRIPTION

PART NO. DESCRIPTION



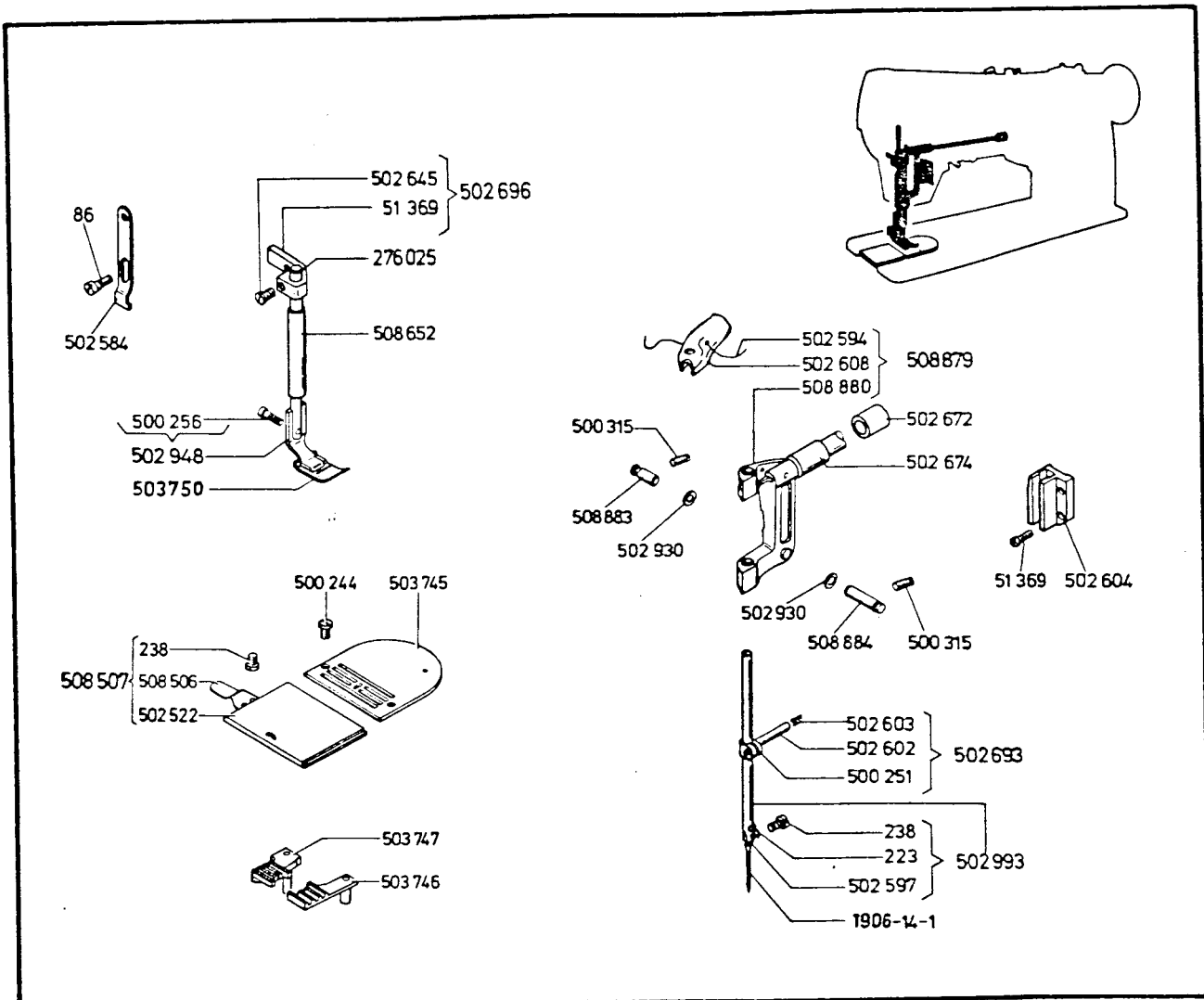
457 G 103-300-(1270)

000199-850 KNEE LIFTER ROCK FRAME HINGE STUD LOCK SCREW
 001349-850 PRESSER BAR LIFTER HINGE SCREW
 001747-850 TENSION RELEASER ADJUSTING SCREW LOCK NUT
 140145-803 KNEE LIFTER LIFTING ROD HINGE SCREW
 200113-850 KNEE LIFTER LIFTING ROD COLLAR SET SCREW
 276027 PRESSER BAR LIFTER
 227227 KNEE LIFTER LIFTING ROD COLLAR WITH 200113
 500259-803 TENSION RELEASER ADJUSTING SCREW
 500260-833 PRESSER BAR SPRING SCREW
 500261-850 PRESSER BAR SPRING SCREW STUD
 500275-850 TENSION RELEASER HINGE SCREW
 500312-850 SINGER LIGHT STUD HOLE SCREW PLUG (FOR UN-USED HOLE)
 502586 KNEE LIFTER LIFTING ROD SPRING

502653 PRESSER BAR SPRING
 502660-002 TENSION RELEASER
 502661-002 TENSION RELEASER CPL. NOS. 1747, 500259 AND 502660-002
 502662 TENSION RELEASER SPRING
 502679 KNEE LIFTER ROCK FRAME HINGE STUD PIN
 502758 KNEE LIFTER ROCK FRAME HINGE STUD
 502786 KNEE LIFTER ROCK FRAME
 502822 KNEE LIFTER ROCK FRAME WITH 502679, 502758 AND 502786
 502823 KNEE LIFTER LIFTING ROD WITH TWO 502830
 502830 KNEE LIFTER LIFTING ROD GRIP RING (2)
 502891 SINGER LIGHT STUD HOLE SCREW PLUG GASKET
 502920 PRESSER BAR SPRING SCREW STUD GASKET
 502992 ARM SHAFT BUSHING (CENTER) SCREW GASKET RING

PART NO. DESCRIPTION

PART NO. DESCRIPTION



457 G103-400-(1270)

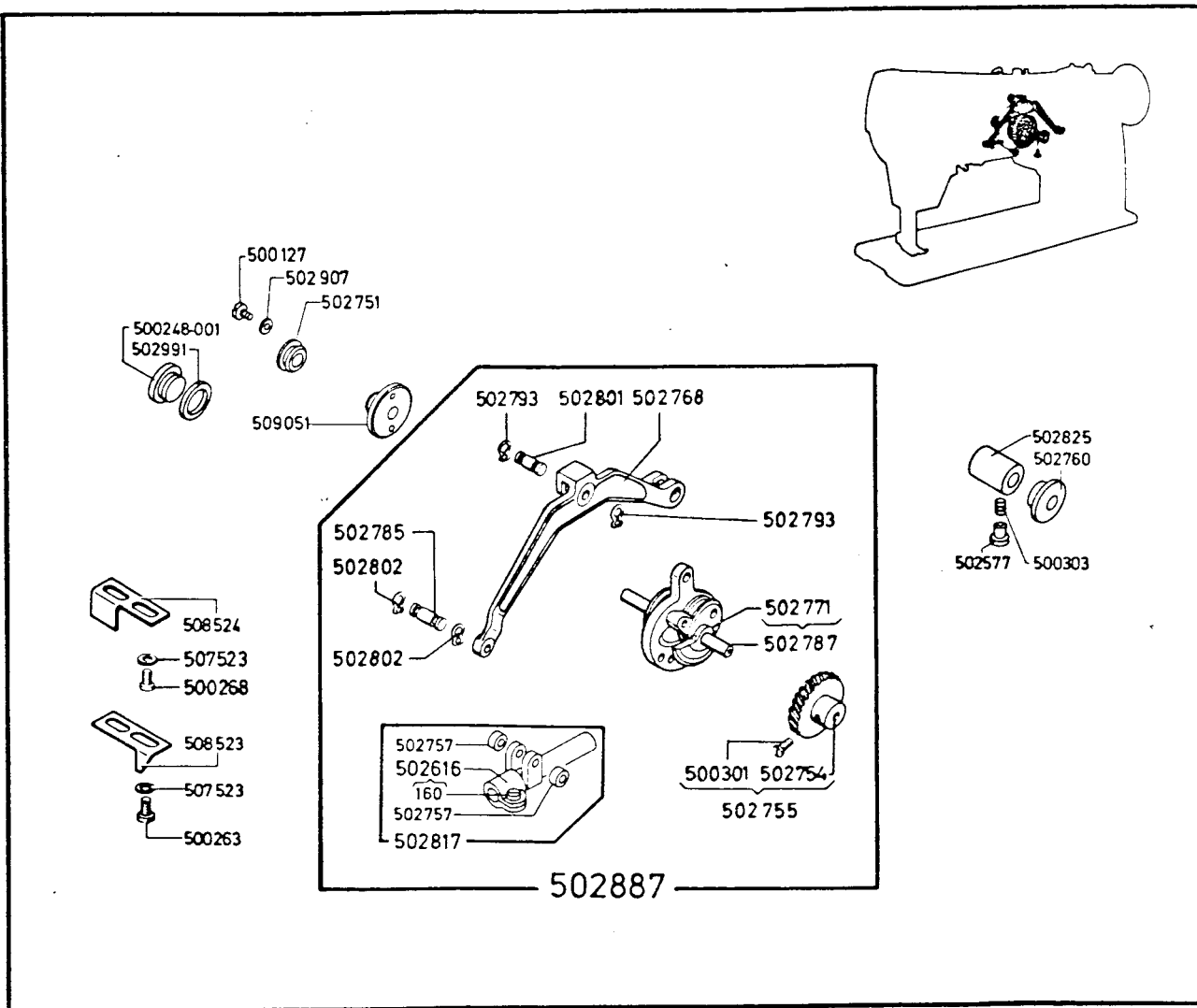
From the library of: Diamond Needle Corp

- 000086-850 K'NEE LIFTER LIFTING SCREW
- 000223-850 NEEDLE SET SCREW
- 000238-850 NEEDLE BAR THREAD GUIDE SET SCREW
- 000238-850 BED SLIDE SPRING SCREW (2)
- 001906-14-1 NEEDLE (1 + 2)
- 051369-850 NEEDLE BAR CONNECTING STUD GUIDE BLOCK SCREW (2)
- 051369-850 PRESSER BAR POSITION GUIDE PINCH SCREW
- 276025 PRESSER BAR BALL
- 500244-850 THROAT PLATE SCREW (2)
- 500251-850 NEEDLE BAR CONNECTING STUD PINCH SCREW
- 500256-850 PRESSER FOOT SCREW
- 500315-830 NEEDLE BAR YOKE GUIDE SET SCREW (2)
- 502522 BED SLIDE
- 502584 K'NEE LIFTER LIFTING LINK
- 502594 NEEDLE BAR OIL FELT CORD
- 502597 NEEDLE BAR THREAD GUIDE
- 502602 NEEDLE BAR CONNECTING STUD
- 502603 NEEDLE BAR CONNECTING STUD OIL WICK
- 502604 NEEDLE BAR CONNECTING STUD GUIDE BLOCK
- 502608 NEEDLE BAR OIL FELT
- 502645 PRESSER BAR POSITION GUIDE

- 502672 NEEDLE BAR YOKE BEARING (BACK)
- 502674 NEEDLE BAR YOKE BEARING (FRONT)
- 502693 NEEDLE BAR CONNECTING STUD WITH 500251, 502602 AND 502603
- 502696 PRESSER BAR POSITION GUIDE WITH 51369 AND 502645
- 502930 NEEDLE BAR YOKE GUIDE SEAL (FRONT AND REAR) (2)
- 502948 PRESSER BAR WITH PRESSER FOOT SCREW 500256
- 502993 NEEDLE BAR CPL. NOS. 223, 238 AND 502597
- 503745 THROAT PLATE
- 503746 FEED DOG (FRONT)
- 503747 FEED DOG (REAR)
- 503750 PRESSER FOOT (HINGED)
- 508506 BED SLIDE SPRING
- 508507 BED SLIDE CPL. NOS. 502522, 508506 AND TWO 238
- 508652 PRESSER BAR BUSHING
- 508879 NEEDLE BAR YOKE WITH OIL FELT CPL. NOS. 502608, 502594 AND 508880
- 508880 NEEDLE BAR YOKE
- 508883 NEEDLE BAR YOKE GUIDE (REAR)
- 508884 NEEDLE BAR YOKE GUIDE (FRONT)

PART NO. DESCRIPTION

PART NO. DESCRIPTION



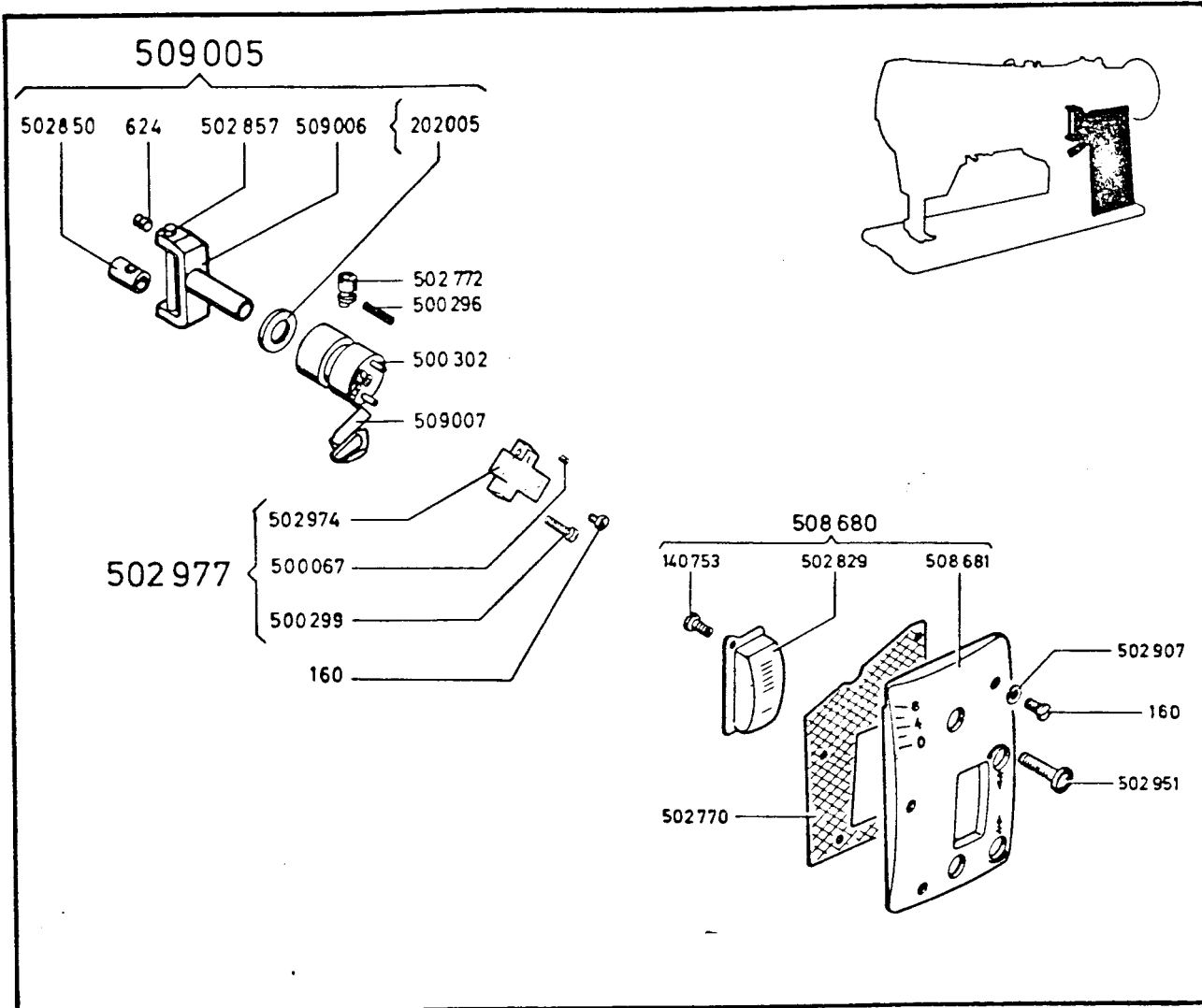
457 G 103-500-(1270)

000160-850	NEEDLE BAR YOKE CONNECTING LINK HINGE BEARING PINCH SCREW
500127-850	NEEDLE VIBRATING ECCENTRIC SHAFT BUSHING (BACK)
500248-001	ARM PLUG SCREW
500263-850	FEED DRIVING CONNECTION CARRIER FRAME STOP SCREW (2)
500268-850	FEED DRIVING CONNECTION CARRIER FRAME STOP SCREW (2)
500301-850	NEEDLE VIBRATING ECCENTRIC SHAFT GEAR SET SCREW (2)
500303-869	NEEDLE VIBRATING CAM SHAFT BUSHING (FRONT) SET SCREW
502577	NEEDLE VIBRATING CAM SHAFT BUSHING (FRONT) SET SCREW PLUG
502616	NEEDLE BAR YOKE CONNECTING LINK HINGE BEARING WITH 160
502751	NEEDLE VIBRATING CAM SHAFT BUSHING (BACK) PLUG
502754	NEEDLE VIBRATING ECCENTRIC SHAFT GEAR
502755	NEEDLE VIBRATING ECCENTRIC SHAFT GEAR CPL. NOS. 502754 AND TWO 500301
502757	NEEDLE BAR YOKE CONNECTING LINK HINGE BEARING BUSHING (2)
502760	NEEDLE VIBRATING CAM SHAFT BUSHING (FRONT) PLUG

502768	NEEDLE BAR YOKE CONNECTION LINK
502771	NEEDLE VIBRATING ECCENTRIC COMPOUND SPLIT PIN (2)
502785	NEEDLE BAR YOKE CONNECTING LINK HINGE BEARING STUD
502787	NEEDLE VIBRATING ECCENTRIC SHAFT WITH TWO 502771
502793	NEEDLE BAR YOKE CONNECTING LINK STUD SNAP RING (2)
502801	NEEDLE BAR YOKE CONNECTING LINK STUD
502802	NEEDLE BAR YOKE CONNECTING LINK HINGE BEARING STUD SNAP RING (2)
502817	NEEDLE BAR YOKE CONNECTING LINK HINGE BEARING CPL. NOS. 502616 AND TWO 502757
502825	NEEDLE VIBRATING CAM SHAFT BUSHING (FRONT)
502887	NEEDLE VIBRATING MECHANISM CPL. NOS. 502755, 502768, 502785, 502787, 502801, 502817, TWO EACH 502802 AND 502793
502907	NEEDLE VIBRATING ECCENTRIC SHAFT BUSHING (BACK) GASKET RING
502991	ARM PLUG SCREW GASKET RING
502523	FEED DRIVING CONNECTION CARRIER FRAME STOP SCREW WASHER (2)
508523	FEED DRIVING CONNECTION CARRIER FRAME STOP (BACK) (2)
508524	FEED DRIVING CONNECTION CARRIER FRAME STOP (FRONT) (2)
509051	NEEDLE VIBRATING ECCENTRIC SHAFT BUSHING (BACK)

PART NO. DESCRIPTION

PART NO. DESCRIPTION



457 G103-600-(1270)

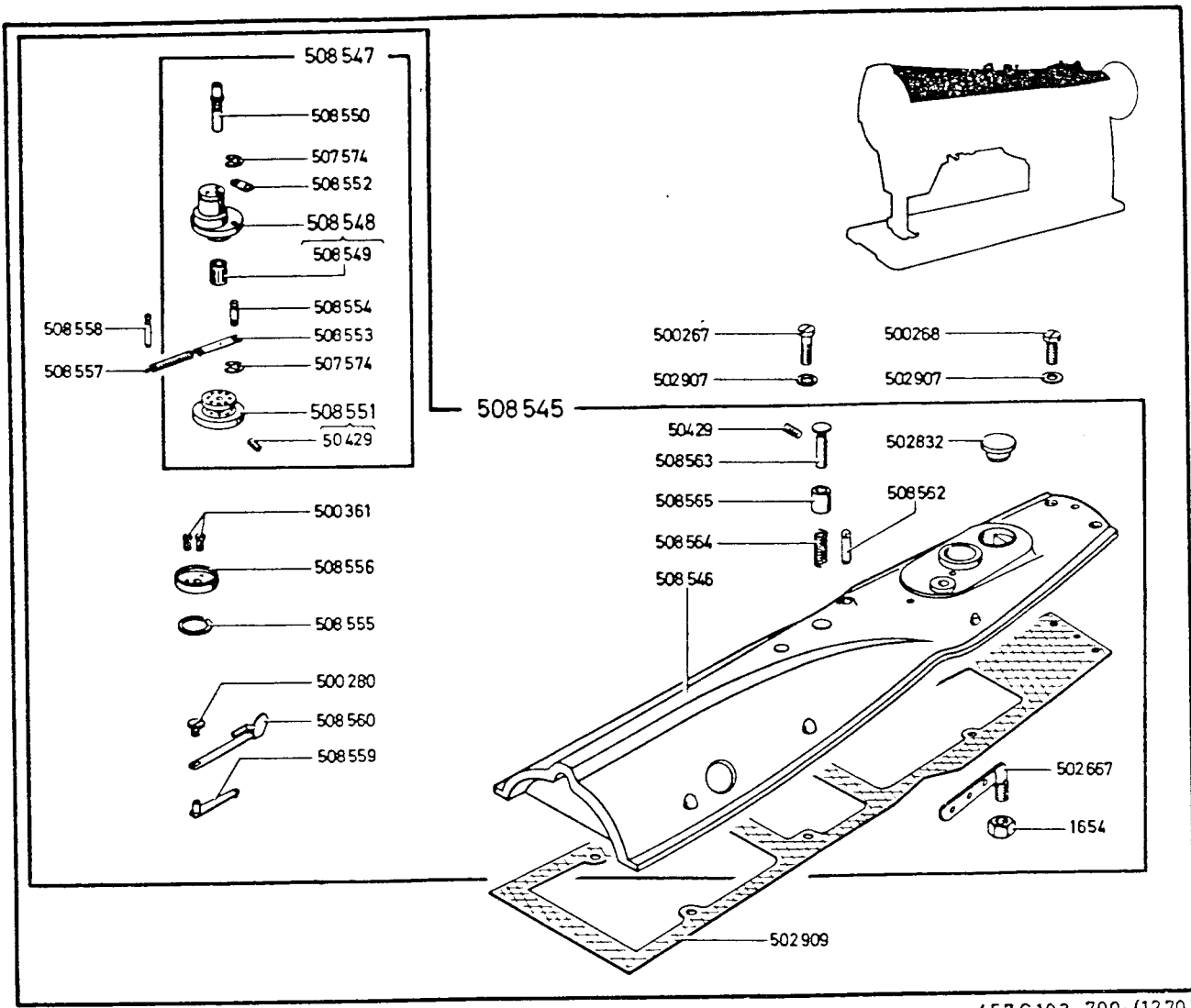
From the library of: Diamond Needle Corp

- 000160-850 NEEDLE POSITION ADJUSTING CAM SLIDING BLOCK BRACKET SCREW (2)
- 000160-850 ARM COVER (FRONT) SCREW (3)
- 000624-833 NEEDLE BAR YOKE CONNECTING LINK CARRIER FRAME SLIDE STUD SET SCREW (2)
- 140753-850 STITCH LENGTH INDICATOR PLATE SCREW (2)
- 202005 WASHER
- 500067-833 NEEDLE POSITION ADJUSTING CAM STOP SCREW SET SCREW (2)
- 500296-833 NEEDLE POSITION ADJUSTING CAM REGULATING STUD SET SCREW
- 500299-805 NEEDLE POSITION ADJUSTING CAM STOP SCREW (2)
- 500302-803 NEEDLE BAR YOKE CONNECTION LINK CARRIER FRAME BUSHING SET SCREW (2)
- 502770 ARM COVER (FRONT) GASKET
- 502772 NEEDLE POSITION ADJUSTING CAM REGULATING STUD
- 502829 STITCH LENGTH INDICATOR PLATE

- 502850 NEEDLE BAR YOKE CONNECTING LINK SLIDE BEARING
- 502857 NEEDLE BAR YOKE CONNECTING LINK CARRIER FRAME SLIDE STUD
- 502907 ARM COVER (BACK) SCREW RING (4)
- 502951-850 NEEDLE POSITION ADJUSTING CAM SET SCREW
- 502974 NEEDLE POSITION ADJUSTING CAM SLIDE BLOCK BRACKET
- 502977 NEEDLE POSITION ADJUSTING CAM SLIDE BLOCK BRACKET CPL., NOS. 502974 AND TWO EACH 500067, 500299
- 508680 ARM COVER (FRONT) CPL., NOS. 508681, 502829 AND TWO 140753
- 508681 ARM COVER (FRONT)
- 509005 NEEDLE BAR YOKE CONNECTING LINK CARRIER FRAME CPL., NOS. 624, 502850, 502857 AND 509006
- 509006 NEEDLE BAR YOKE CONNECTING LINK CARRIER FRAME
- 509007 NEEDLE POSITION ADJUSTING LEVER

PART NO. DESCRIPTION

PART NO. DESCRIPTION



457 G 103-700-(1270)

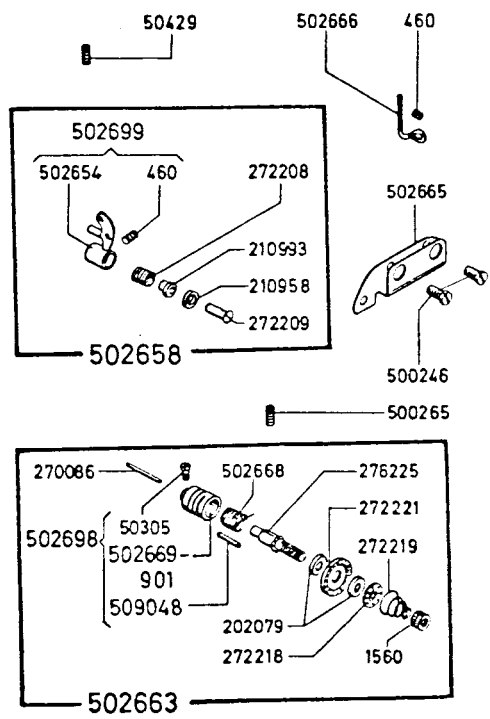
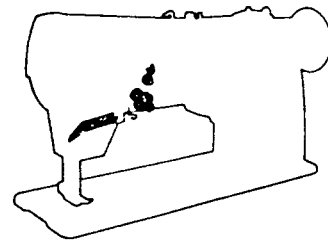
From the library of: Diamond Needle Corp

001654-850	THREAD RETAINER LOCK NUT
050429-833	BOBBIN WINDER SHAFT FRICTION WHEEL PIN (2)
050429-833	ARM COVER (TOP) THREAD TENSION STUD PIN
500267-850	ARM COVER (TOP) SCREW (LONG) (2)
500268-850	ARM COVER (TOP) SCREW (SHORT) (2)
500280-850	ARM (TOP) TRIP LEVER FASTENING SCREW
500361-850	BOBBIN WINDER SHAFT BUSHING (ECCENTRIC) THREAD GUARD FASTENING SCREW (2)
507667	THREAD RETAINER
507832	ARM COVER (TOP) PLUG
507907	ARM COVER (TOP) SCREW (LONG AND SHORT) (4)
507909	ARM COVER (TOP) GASKET
507574	BOBBIN WINDER SHAFT BUSHING (ECCENTRIC) LINK STUD LOCKING WASHER (2)
508545	ARM COVER (TOP) WITH BOBBIN WINDER CPL. NOS. 1654, 50429, 500280, 500361 (2), 507667, 507832, 508546, 508547, 508555 TO 508565
508546	ARM COVER (TOP)
508547	BOBBIN WINDER SHAFT BUSHING (ECCENTRIC) WITH FRICTION WHEEL CPL. NOS. 508548, 508550 TO 508554, TWO 507574

508548	BOBBIN WINDER SHAFT BUSHING (ECCENTRIC) WITH 508549
508549	BOBBIN WINDER SHAFT BUSHING (ECCENTRIC) ROLLER CLUTCH
508550	BOBBIN WINDER SHAFT
508551	BOBBIN WINDER SHAFT FRICTION WHEEL WITH TWO 50429
508552	BOBBIN WINDER SHAFT BUSHING (ECCENTRIC)
508553	BOBBIN WINDER SHAFT BUSHING (ECCENTRIC) SPRING SHACKLE
508554	BOBBIN WINDER SHAFT BUSHING (ECCENTRIC) LINK STUD
508555	BOBBIN WINDER SHAFT BUSHING (ECCENTRIC) SNAP RING
508556	BOBBIN WINDER SHAFT BUSHING (ECCENTRIC) THREAD GUARD
508557	BOBBIN WINDER SHAFT BUSHING (ECCENTRIC) COIL SPRING
508558	BOBBIN WINDER SHAFT BUSHING (ECCENTRIC) COIL SPRING STUD
508559	ARM COVER (TOP) ROCKLING LEVER
508560	ARM COVER (TOP) TRIP LEVER
508562	ARM COVER (TOP) THREAD GUIDE STUD
508563	ARM COVER (TOP) THREAD TENSION STUD
508564	ARM COVER (TOP) THREAD TENSION STUD SPRING
508565	ARM COVER (TOP) THREAD TENSION STUD DISC

PART NO. DESCRIPTION

PART NO. DESCRIPTION

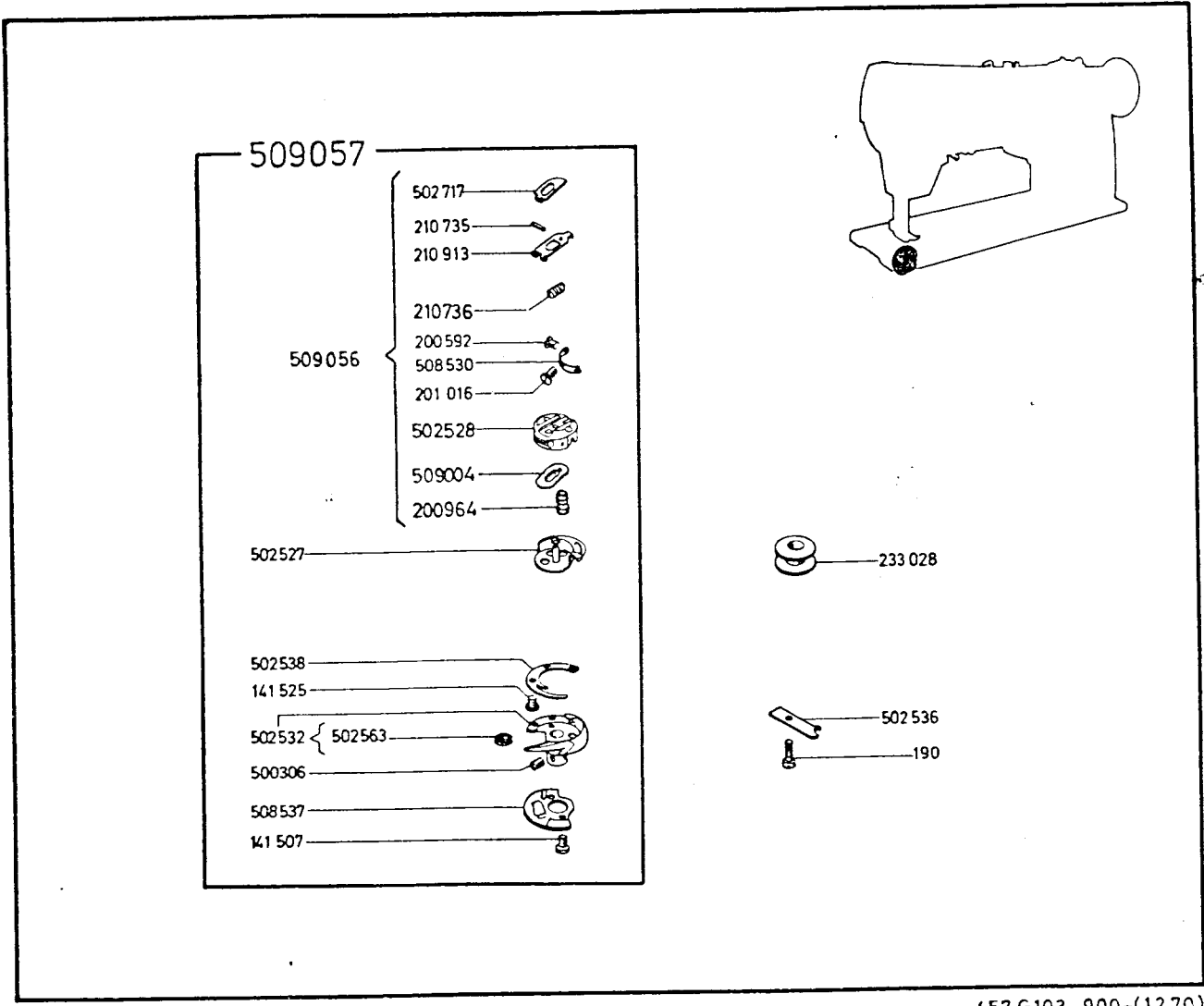


457G103-800-(1270)

From the library of: Diamond Needle Corp

000460-833	THREAD PULL OFF SET SCREW	276225	TENSION STUD
000460-833	PRETENSION BRACKET SCREW	500246-850	THREAD GUIDE SCREW (2)
001560-850	TENSION THUMB NUT	500265-833	THREAD REGULATOR SET SCREW
050305-850	TENSION STUD SET SCREW	502654	PRETENSION BRACKET
050429-833	PRETENSION BRACKET SCREW	502658	PRETENSION BRACKET CPL., NOS. 210958, 210993, 272208, 272209 AND 502699
202079	TENSION FELT WASHER (2)	502663	TENSION CPL., NOS. 1560, 270086, 272218, 272219, 272221, 276225, 502668, 502698 AND TWO 202079
210958	PRETENSION BRACKET COLLAR	502665	THREAD GUIDE
210993	PRETENSION BRACKET SLEEVE	502666	THREAD PULL OFF
270086	TENSION RELEASING PIN	502668	THREAD TAKE-UP SPRING
272208	PRETENSION BRACKET SPRING	502698	THREAD TAKE-UP SPRING REGULATOR 502669 WITH 50305 AND 509048
272209	PRETENSION BRACKET STUD	502699	PRETENSION BRACKET WITH 460 AND 502654
272218	TENSION RELEASING DISC	509048	THREAD TAKE-UP SPRING REGULATOR
272219	TENSION SPRING		
272221	TENSION WHEEL		

PART NO.	DESCRIPTION	PART NO.	DESCRIPTION
----------	-------------	----------	-------------



457 G103-900-(1270)

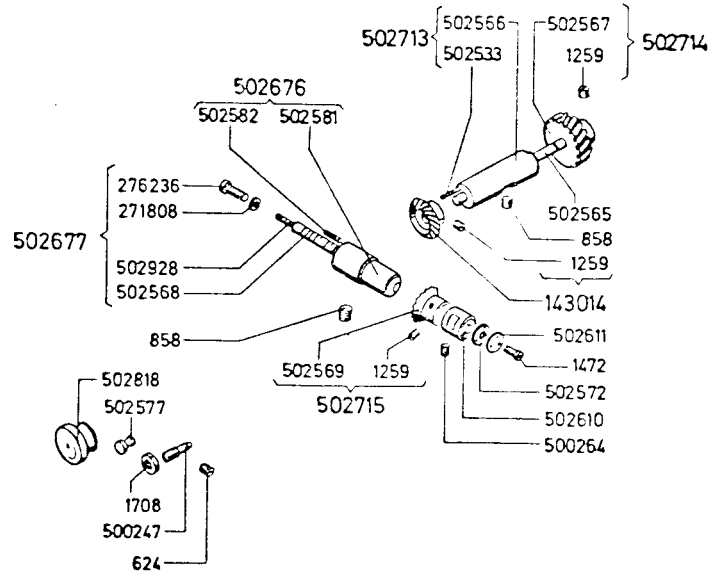
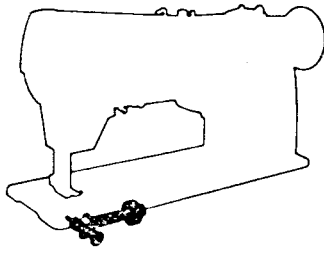
From the library of: Diamond Needle Corp

000190-850 BOBBIN CASE STOP SCREW
 141507-833 HOOK NEEDLE GUARD AND COUNTERBALANCE SCREW
 141525-806 HOOK GIB SCREW (3)
 200592-803 BOBBIN CASE CAP TENSION SPRING SCREW
 200964-803 BOBBIN CASE LATCH STOP SCREW
 201016-803 BOBBIN CASE CAP TENSION SPRING REGULATING SCREW
 210735 BOBBIN CASE LATCH FULCRUM PIN
 210736 BOBBIN CASE LATCH SPRING
 210913 BOBBIN CASE LATCH
 233028 BOBBIN
 500306-869 HOOK SET SCREW (2)
 502527 BOBBIN CASE BASE

502528 BOBBIN CASE CAP
 502532 HOOK BODY WITH 502563
 502536 BOBBIN CASE STOP
 502538 HOOK GIB
 502563 HOOK OIL RETAINING WASHER
 502717 BOBBIN CASE LATCH LEVER
 508530 BOBBIN CASE TENSION SPRING
 508537 HOOK NEEDLE GUARD AND COUNTERBALANCE
 509004 BOBBIN CASE ANTI SPILLAGE SPRING
 509056 BOBBIN CASE CAP CPL. NOS. 200592, 200964, 201016, 210735, 210736, 210913, 502528, 502717, 508530 AND 509004
 509057 HOOK AND BOBBIN CASE CPL. NOS. 141507, 141525, 500306, 502527, 502532, 502538, 508537 AND 509056

FART NO. DESCRIPTION

PART NO. DESCRIPTION



457 G 103-1000-(1270)

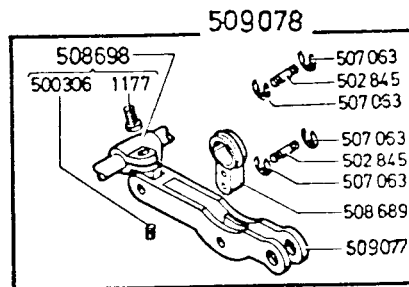
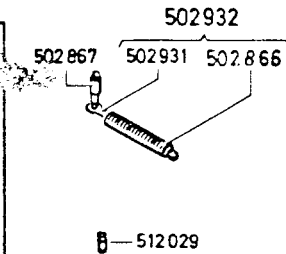
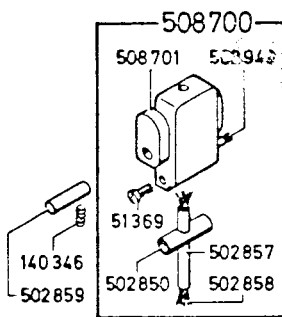
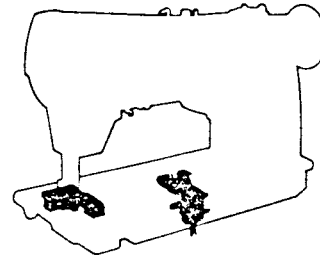
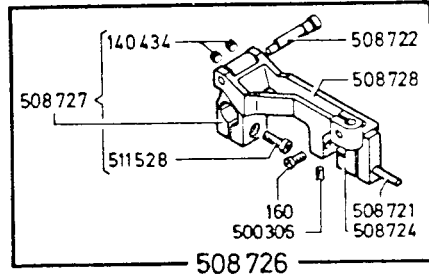
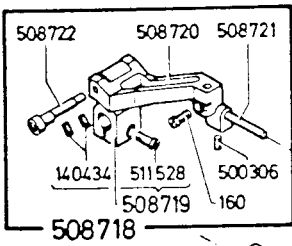
From the library of: Diamond Needle Corp

000624-833 HOOK OIL BYPASS PLUG SCREW
 000858-833 HOOK DRIVING SHAFT BUSHING SET SCREW
 000858-833 HOOK SHAFT PRESSURE BUSHING SET SCREW
 001259-830 HOOK DRIVING SHAFT HELICAL GEAR SET SCREW (2)
 001259-830 HOOK DRIVING SHAFT BEVEL GEAR SET SCREW (2)
 001259-830 HOOK SHAFT BEVEL GEAR SET SCREW (2)
 001472-850 HOOK SHAFT BUSHING (FRONT) SET SCREW (3)
 001708-850 HOOK OIL BYPASS PLUG SCREW NUT
 143014 HOOK DRIVING SHAFT BEVEL GEAR WITH TWO 1259
 271808 HOOK SHAFT OIL FILTER WICK HOLDER SEAL
 276236-803 HOOK SHAFT OIL WICK HOLDER
 500247-833 HOOK OIL REGULATING SCREW
 500264-830 HOOK SHAFT FRONT SET SCREW
 502533 HOOK DRIVING SHAFT BUSHING OIL WICK
 502565 HOOK DRIVING SHAFT
 502566 HOOK DRIVING SHAFT BUSHING
 502567 HOOK DRIVING SHAFT HELICAL GEAR

502568 HOOK SHAFT
 502569 HOOK SHAFT BEVEL GEAR
 502572 HOOK SHAFT BUSHING CAP GASKET
 502577 HOOK SHAFT GEAR BOX PLUG
 502581 HOOK SHAFT PRESSURE BUSHING
 502582 HOOK SHAFT PRESSURE BUSHING OIL WICK
 502610 HOOK SHAFT BUSHING (FRONT)
 502611 HOOK SHAFT BUSHING CAP
 502676 HOOK SHAFT PRESSURE BUSHING 502581 WITH 502582
 502677 HOOK SHAFT FILTER CPL. NOS. 271808, 276236, 502568, 502928
 502713 HOOK DRIVING SHAFT BUSHING WITH 502533 AND 502566
 502714 HOOK DRIVING SHAFT HELICAL GEAR 502567 WITH TWO 1259
 502715 HOOK SHAFT BEVEL GEAR 502569 WITH TWO 1259
 502818 HOOK GEAR BOX VENT CAP
 502928 HOOK SHAFT OIL FILTER FELT (WICK)

PART NO. DESCRIPTION

PART NO. DESCRIPTION



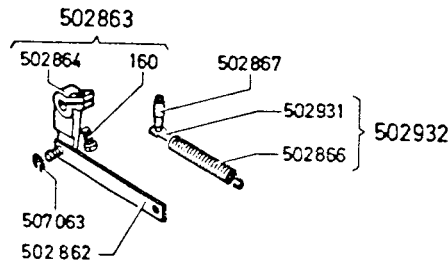
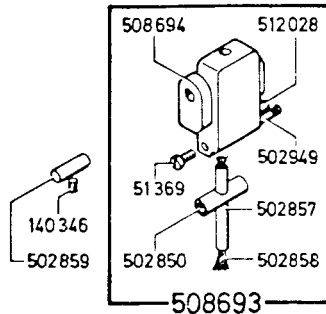
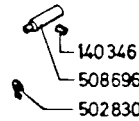
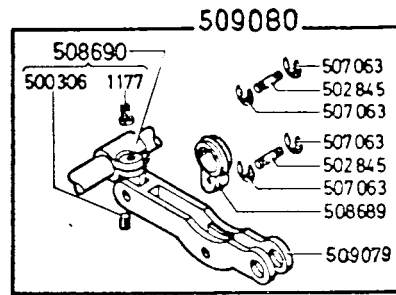
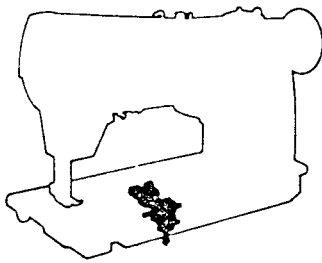
457 G 103-1100-(1270)

000160-850	FEED DOG PINCH SCREW
000160-850	FEED DOG PINCH SCREW (DIFFERENTIAL)
001177-850	FEED DRIVING CONNECTION CRANK PINCH SCREW (DIFF.)
051369-850	FEED DRIVING CONNECTION CARRIER FRAME SLIDE STUD SET SCREW (DIFFERENTIAL)
140346-833	FEED DRIVING CONNECTION CARRIER FRAME DRIVING STUD SET SCREW
140434-869	FEED BAR HINGE PIN SET SCREW (2)
140434-869	FEED BAR HINGE PIN SET SCREW (2) (DIFFERENTIAL)
500306-869	FEED BAR LIFTING LINK CONNECTION PIN SET SCREW
500306-869	FEED BAR LIFTING LINK CONNECTION PIN SET SCREW (DIFFERENTIAL)
500306-869	FEED DRIVING CONNECTION LEVER HINGE PIN (ECCENTRIC) SET SCREW
502845	FEED DRIVING CONNECTION LEVER HINGE PIN (DIFF.) (2)
502850	FEED DRIVING CONNECTION LEVER SLIDE BEARING (DIFFERENTIAL)
502857	FEED DRIVING CONNECTION CARRIER FRAME SLIDE STUD (DIFFERENTIAL)
502858	FEED DRIVING CONNECTION CARRIER FRAME SLIDE STUD OIL WICK (DIFFERENTIAL)
502859	FEED DRIVING CONNECTION CARRIER FRAME BEARING STUD (LEFT) (DIFFERENTIAL)
502866	FEED DRIVING CONNECTION CARRIER FRAME SPRING (2)
502867	FEED DRIVING CONNECTION CARRIER FRAME SPRING STUD (2)
502931	FEED DRIVING CONNECTION CARRIER FRAME SPRING RETAINER (2)
502932	FEED DRIVING CONNECTION CARRIER FRAME SPRING 502866 WITH 502931 (2)
502949	FEED DRIVING CONNECTION CARRIER FRAME SPRING STUD (DIFFERENTIAL)

507063	FEED DRIVING CONNECTION LEVER HINGE PIN RETAINING RING (4)
508689	FEED DRIVING CONNECTION LINK (DIFFERENTIAL)
508698	FEED DRIVING CONNECTION CRANK WITH 1177 AND 500306
508700	FEED DRIVING CONNECTION CARRIER FRAME CPL. NOS. 51369, 502850, 502857, 502858, 502949 AND 508701
508701	FEED DRIVING CONNECTION CARRIER FRAME
508718	FEED DRIVING ROCK SHAFT CRANK CPL. NOS. 160, 500306, 508719, 508720, 508721 AND 508722
508719	FEED DRIVING ROCK SHAFT CRANK WITH 511528 AND TWO 140434
508720	FEED BAR
508721	FEED BAR LIFTING LINK CONNECTION PIN
508721	FEED BAR LIFTING LINK CONNECTION PIN (DIFF.)
508722	FEED BAR HINGE PIN
508722	FEED BAR HINGE PIN (DIFFERENTIAL)
508723	FEED BAR LIFTING LINK
508724	FEED BAR LIFTING LINK (DIFFERENTIAL)
508726	FEED DRIVING ROCK SHAFT CRANK (DIFFERENTIAL)
508727	FEED DRIVING ROCK SHAFT CRANK (DIFFERENTIAL) WITH 511528 AND TWO 140434
508728	FEED BAR (DIFFERENTIAL)
509077	FEED DRIVING CONNECTION LEVER
509078	FEED DRIVING CONNECTION CPL., NOS. 502845 (2), 508689, 508698, 509077 AND FOUR 507063
511528-869	FEED DRIVING ROCK SHAFT CRANK PINCH SCREW
511528-869	FEED DRIVING ROCK SHAFT CRANK PINCH SCREW (DIFF.)
512029	FEED DRIVE CONNECTION CARRIER FRAME ROLL PIN

PART NO. DESCRIPTION

PART NO. DESCRIPTION



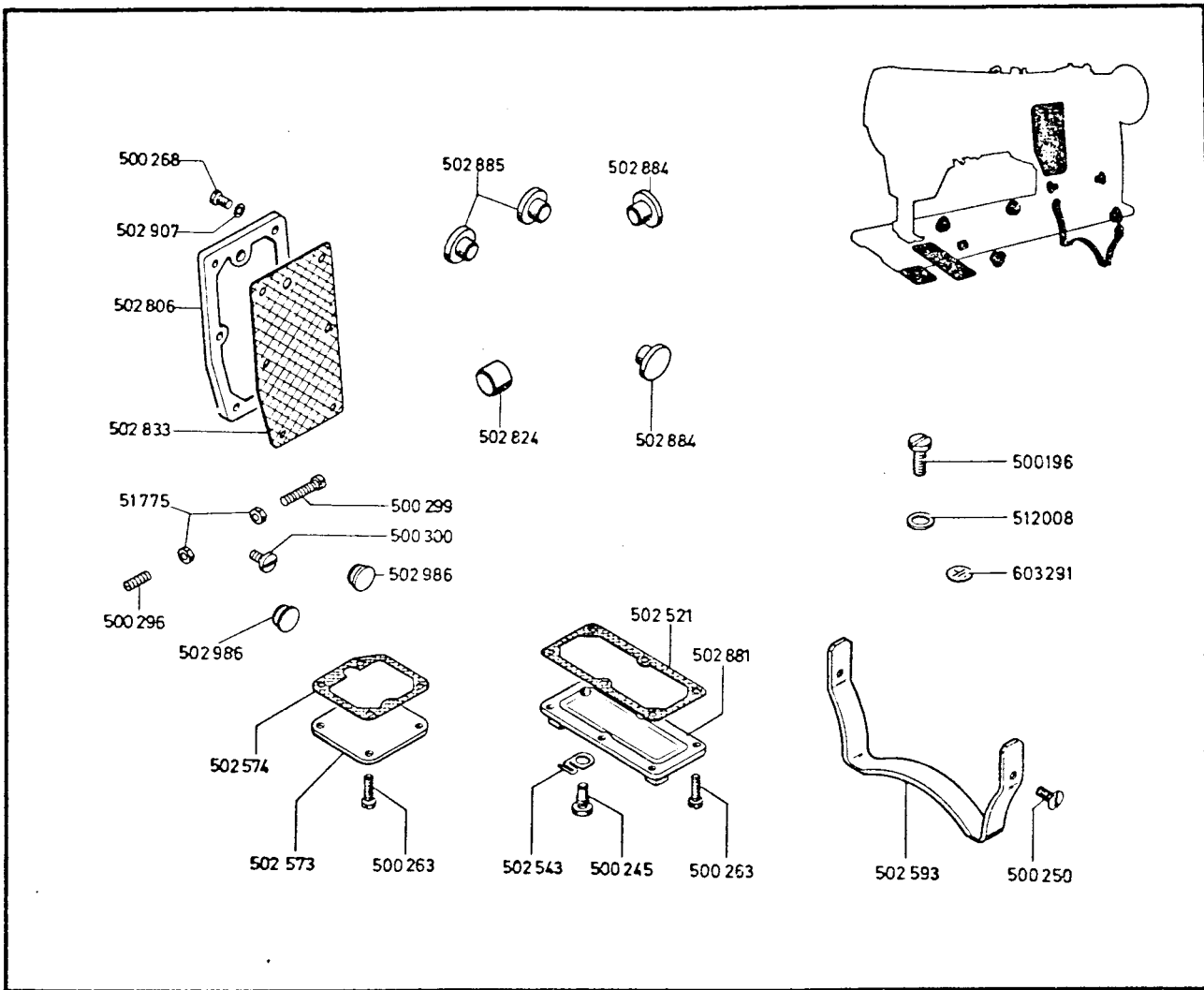
457 G 103-1200-(1270)

000160-850 FEED REGULATING CONNECTION SHAFT CRANK PINCH SCREW
 001177-850 FEED DRIVING CONNECTION CRANK PINCH SCREW
 051369-850 FEED DRIVING CONNECTION CARRIER FRAME SLIDE STUD SET SCREW
 140346-833 FEED DRIVING CONNECTION CARRIER FRAME DRIVING STUD SET SCREW (2)
 500306-859 FEED DRIVING CONNECTION LEVER HINGE PIN SET SCREW (2)
 502830 FEED DRIVING CONNECTION CARRIER FRAME SPRING STUD GRIP RING
 502845 FEED DRIVING CONNECTION LEVER HINGE PIN (2)
 502850 FEED DRIVING CONNECTION CARRIER FRAME SLIDE STUD
 502857 FEED DRIVING CONNECTION CARRIER FRAME SLIDE STUD
 502858 OIL WICK
 502859 FEED DRIVING CONNECTION CARRIER FRAME BEARING STUD (LEFT)
 502862 FEED REGULATING CONNECTION SHAFT CRANK LINK
 502863 FEED REGULATING CONNECTION SHAFT CRANK CPL. NOS. 160 AND 502864
 502864 FEED REGULATING CONNECTION SHAFT CRANK
 502866 FEED DRIVING CONNECTION CARRIER FRAME SPRING (2)
 502867 FEED DRIVING CONNECTION FRAME SPRING STUD (2)

502931 FEED DRIVING CONNECTION CARRIER FRAME SPRING RETAINER (2)
 502932 FEED DRIVING CONNECTION CARRIER FRAME SPRING 502866 WITH 502931 (2)
 502949 FEED DRIVING CONNECTION CARRIER FRAME SPRING STUD
 507063 FEED DRIVING CONNECTION LEVER HINGE PIN RETAINER RING (4)
 507063 FEED REGULATING CONNECTION SHAFT CRANK LINK RETAINING RING
 508689 FEED DRIVING CONNECTION LINK
 508690 FEED DRIVING CONNECTION CRANK WITH 1177 AND 500306
 508693 FEED DRIVING CONNECTION CARRIER FRAME (DIFF.) CPL. NOS. 51369, 502850, 502857, 502858, 502949, 508594 AND 512028
 508694 FEED DRIVING CONNECTION CARRIER FRAME (DIFF.)
 508596 FEED DRIVING CONNECTION CARRIER FRAME HINGE PIN (DIFFERENTIAL) (RIGHT)
 509079 FEED DRIVING CONNECTION LEVER
 509380 FEED DRIVING CONNECTION CPL. NOS. 502845 (2), 508689, 508690, 509079, AND FOUR 507063
 512028 FEED REGULATING CONNECTION SHAFT CRANK LINK PIN

PART NO. DESCRIPTION

PART NO. DESCRIPTION



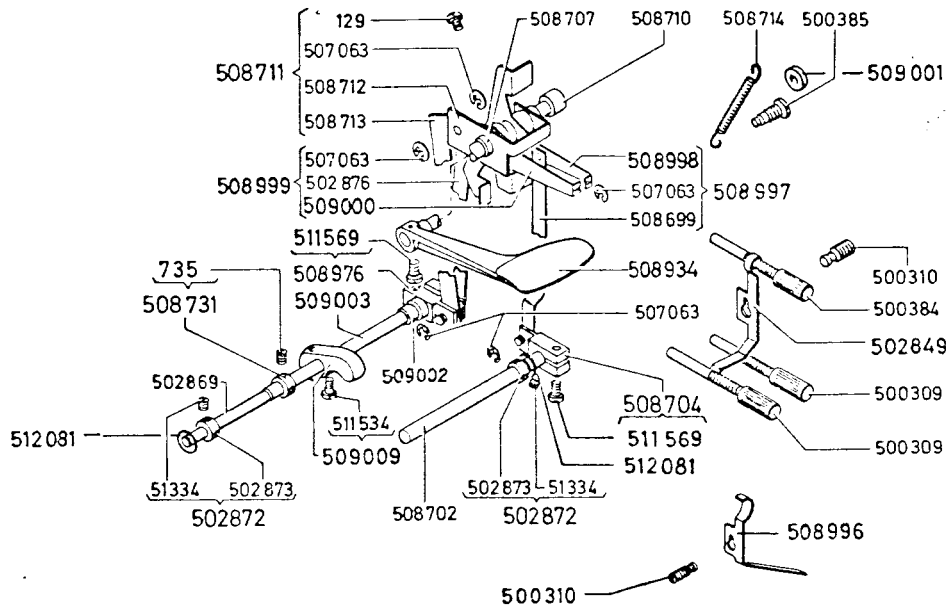
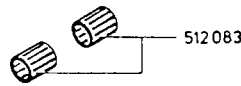
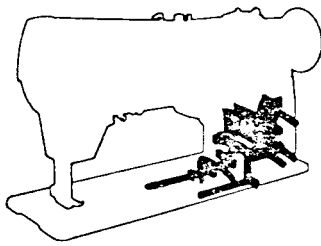
457 G 103-1400-(1270)

051775-850 ARM OIL SEAL SCREW LOCK NUT (2)
 500196-814 MACHINE GROUNDING WIRE SCREW
 500245-805 BED SHAFT GEAR BOX OVERFLOW AND DRAIN PLUG SCREW
 500250-850 MACHINE LEG SCREW (2)
 500263-850 HOOK SHAFT GEAR BOX COVER SCREW (4)
 500263-850 BED SHAFT GEAR BOX COVER SCREW (6)
 500266-850 ARM COVER (BACK) SCREW (6)
 500296-833 ARM OIL SEAL SCREW (LEFT)
 500299-850 ARM OIL SEAL SCREW (RIGHT)
 500300-850 ARM OIL SEAL SCREW (FRONT)
 502521 BED SHAFT GEAR BOX GASKET
 502543 FEED BAR HINGE PIN OILING FELT CLAMP
 502573 HOOK SHAFT GEAR BOX COVER

502574 HOOK SHAFT GEAR BOX COVER GASKET
 502593 MACHINE LEG (REAR)
 502806 ARM COVER (BACK)
 502824 HOOK DRIVING SHAFT PLUG (FOR UN-USED HOLE)
 502833 ARM COVER (BACK) GASKET
 502881 BED SHAFT GEAR BOX COVER
 502884 BED SPACER (FRONT AND REAR SIDE) (2)
 502885 BED SPACER (REAR) (2)
 502907 ARM COVER (BACK) SCREW GASKET RING (6)
 502986 FEED REGULATING SHAFT PLUG (2)
 512008 MACHINE GROUNDING WIRE WASHER
 603291 MACHINE GROUNDING WIRE SYMBOL

PART NO. DESCRIPTION

PART NO. DESCRIPTION



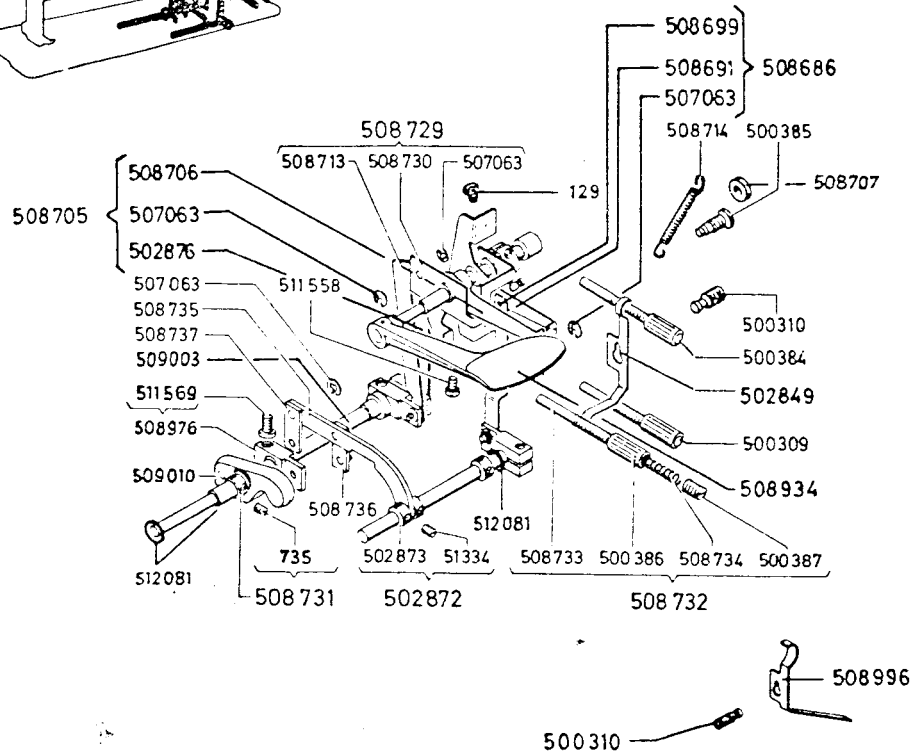
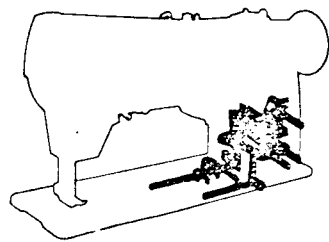
457 G 103-1500-(1270)

000129-850	FEED REGULATING SHAFT INDICATOR LEVER FOOT
000735-833	CONTROL ACTUATING LEVER PINCH SCREW
051334-830	FEED REGULATING SHAFT INDICATOR LEVER FOOT CONTROL SHAFT COLLAR GRUB SCREW (2)
500309-850	FEED REGULATING CONNECTING SHAFT COLLAR SET SCREW (4)
500310-833	FEED REGULATING SHAFT INDICATOR STOP SCREW
500384-850	FEED REGULATING SHAFT INDICATOR LEVER STOP SCREW (DIFFERENTIAL)
500385-850	FEED REGULATING SHAFT INDICATOR LEVER FOOT CONTROLLED ACTUATING LEVER RETURN SPRING SCREW
502849	FEED REGULATING BIAS SPRING
502869	FEED REGULATING CONNECTING SHAFT
502872	FEED REGULATING CONNECTING SHAFT COLLAR CPL. (2) NOS. 502873 AND TWO 51334
502873	FEED REGULATING CONNECTING SHAFT COLLAR (2)
502876	FEED REGULATING SHAFT INDICATOR LEVER CONNECTING LINK (DIFFERENTIAL)
507063	RETAINING RING (6)
508699	FEED DRIVING CONNECTION LINK
508702	FEED REGULATING CONNECTING SHAFT
508704	FEED REGULATING CONNECTING SHAFT CRANK (DIFF.) WITH 511569
508707	FEED REGULATING SHAFT SPACER
508710	DIFFERENTIAL REGULATING HAND CONTROL LEVER SHAFT BUSHING (RIGHT)
508711	DIFFERENTIAL REGULATING CONTROL ARM CPL. NOS. 129, 507063, 508712 AND 508713
508712	DIFFERENTIAL REGULATING CONTROL ARM
508713	DIFFERENTIAL REGULATING CONTROL ARM

508714	DIFFERENTIAL REGULATING CONTROL ARM SHAFT BUSHING (RIGHT)
508731	FEED REGULATING SHAFT INDICATOR LEVER FOOT CONTROL SHAFT COLLAR AND TWO 735
508934	FEED REGULATING SHAFT CPL. (DIFFERENTIAL)
508976	DIFFERENTIAL REGULATING FOOT CONTROL SHAFT CRANK (2) WITH 511569
508996	FEED REGULATING BIAS SPRING
508997	FEED REGULATING SHAFT INDICATOR LEVER CPL. NOS. 507063, 508998 AND 508699
508998	FEED REGULATING SHAFT INDICATOR LEVER
508999	FEED REGULATING SHAFT INDICATOR CPL. NOS. 507063, 502876 AND 509000 (DIFFERENTIAL)
509000	FEED REGULATING SHAFT INDICATOR LEVER (DIFF.)
509001	FEED REGULATING SHAFT SPACER
509002	FEED REGULATING CONNECTING SHAFT BUSHING (RIGHT)
509003	FEED REGULATING SHAFT INDICATOR LEVER FOOT CONTROL SHAFT (DIFFERENTIAL)
509009	DIFFERENTIAL REGULATING FOOT CONTROL LEVER WITH 511534
511534-850	DIFFERENTIAL REGULATING FOOT CONTROL LEVER SCREW
511569-850	DIFFERENTIAL REGULATING FOOT CONTROL SHAFT CRANK PINCH SCREW
511569-850	FEED REGULATING CONNECTING SHAFT CRANK PINCH SCREW
512081	FEED REGULATING SHAFT INDICATOR LEVER FOOT CONTROL SHAFT (DIFFERENTIAL) FLATE SPRING (6)
512081	FEED REGULATING CONNECTING SHAFT PLATE SPRING (6)
512083	FEED REGULATING SHAFT INDICATOR NEEDLE CAGE (2)

PART NO. DESCRIPTION

PART NO. DESCRIPTION



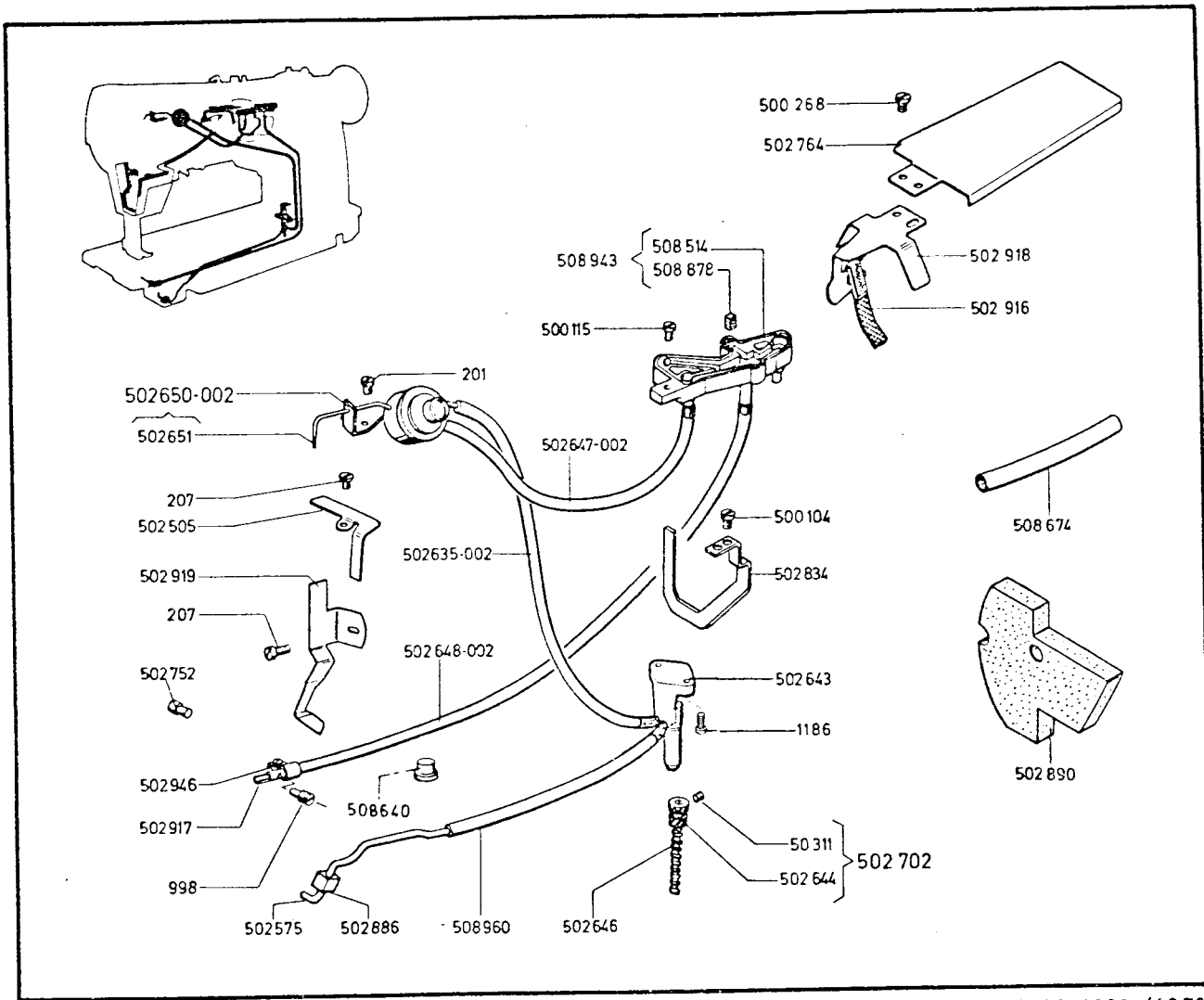
457 G 113-1510-(1270)

000129-850	FEED REGULATING SHAFT INDICATOR LEVER FOOT CONTROL ACTUATING LEVER PINCH SCREW
000735-833	FEED REGULATING SHAFT INDICATOR LEVER FOOT CONTROL SHAFT COLLAR GRUB SCREW (2)
051334-830	FEED REGULATING CONNECTING SHAFT COLLAR SET SCREW (4)
500309-850	FEED REGULATING SHAFT INDICATOR STOP SCREW (2)
500310-833	FEED REGULATING SHAFT INDICATOR STOP SCREW RETAINING SPRING SCREW (2)
500384-850	FEED REGULATING SHAFT INDICATOR LEVER STOP SCREW (DIFFERENTIAL)
500385-850	FEED REGULATING SHAFT INDICATOR LEVER FOOT CONTROLLED ACTUATING LEVER RETURN SPRING SCREW
500386-850	FEED REGULATING SHAFT INDICATOR LEVER STOP SCREW (DIFFERENTIAL)
500387-850	FEED REGULATING SHAFT INDICATOR LEVER STOP SCREW PIN SPRING ADJUSTING SCREW
502849	FEED REGULATING BIAS SPRING
502872	FEED REGULATING CONNECTING SHAFT COLLAR CPL. (4) NOS. 502873 AND TWO 51334
502873	FEED REGULATING CONNECTING SHAFT COLLAR (4)
502876	FEED REGULATING SHAFT INDICATOR LEVER CONNECTING LINK (DIFFERENTIAL)
507063	RETAINING RING (6)
506686	FEED REGULATING SHAFT INDICATOR LEVER CPL. NOS. 507063, 508691 AND 508699
508691	FEED REGULATING SHAFT INDICATOR LEVER
508699	FEED DRIVING CONNECTION LINK
508705	FEED REGULATING SHAFT INDICATOR CPL. NOS. 507063, 502876 AND 508706 (DIFFERENTIAL)
508706	FEED REGULATING SHAFT INDICATOR LEVER (DIFF.)
508707	FEED REGULATING SHAFT SPACER
508713	DIFFERENTIAL REGULATING CONTROL ARM CONNECTING LINK

508714	DIFFERENTIAL REGULATING CONTROL ARM SHAFT BUSHING (RIGHT)
508729	FEED REGULATING SHAFT INDICATOR LEVER FOOT CONTROLLED ACTUATING LEVER (DIFF.) CPL. NOS. 507063, 508713 AND 508730
508730	FEED REGULATING SHAFT INDICATOR LEVER FOOT CONTROLLED ACTUATING LEVER (DIFFERENTIAL)
508731	FEED REGULATING SHAFT INDICATOR LEVER FOOT CONTROL SHAFT COLLAR (2) AND TWO 735
508732	FEED REGULATING SHAFT INDICATOR LEVER STOP SCREW (DIFFERENTIAL) CPL. NOS. 500386, 500387, 508733 AND 508734
508733	FEED REGULATING SHAFT INDICATOR LEVER STOP SCREW PIN (DIFFERENTIAL)
508734	FEED REGULATING SHAFT INDICATOR LEVER STOP SCREW PIN SPRING (DIFFERENTIAL)
508735	FEED REGULATING SHAFT INDICATOR LEVER FOOT CONTROL SHIFTING LEVER (DIFFERENTIAL)
508736	FEED REGULATING SHAFT INDICATOR LEVER FOOT CONTROL SHAFT CRANK CONNECTION LINK (DIFFERENTIAL)
508737	FEED REGULATING SHAFT INDICATOR LEVER FOOT CONTROL SHIFTING LEVER CONNECTION LINK (DIFFERENTIAL)
508934	FEED REGULATING SHAFT (DIFFERENTIAL)
508976	DIFFERENTIAL REGULATING FOOT CONTROL SHAFT CRANK (2) WITH 511569
508996	FEED REGULATING BIAS SPRING
509003	FEED REGULATING SHAFT INDICATOR LEVER FOOT CONTROL SHAFT (DIFFERENTIAL)
509010	DIFFERENTIAL REGULATING FOOT CONTROL LEVER
511558	FEED REGULATING SHAFT INDICATOR LEVER FOOT CONTROLLED ACTUATING LEVER (DIFF.) SET SCREW
511569	DIFFERENTIAL REGULATING FOOT CONTROL CRANK PINCH SCREW (2)
512081	FEED REGULATING SHAFT INDICATOR LEVER FOOT CONTROL SHAFT (DIFF.) PLATE SPRING (6)
512081	FEED REGULATING CONNECTING SHAFT PLATE SPRING (6)

PART NO. DESCRIPTION

PART NO. DESCRIPTION



457 G103-1600-(1270)

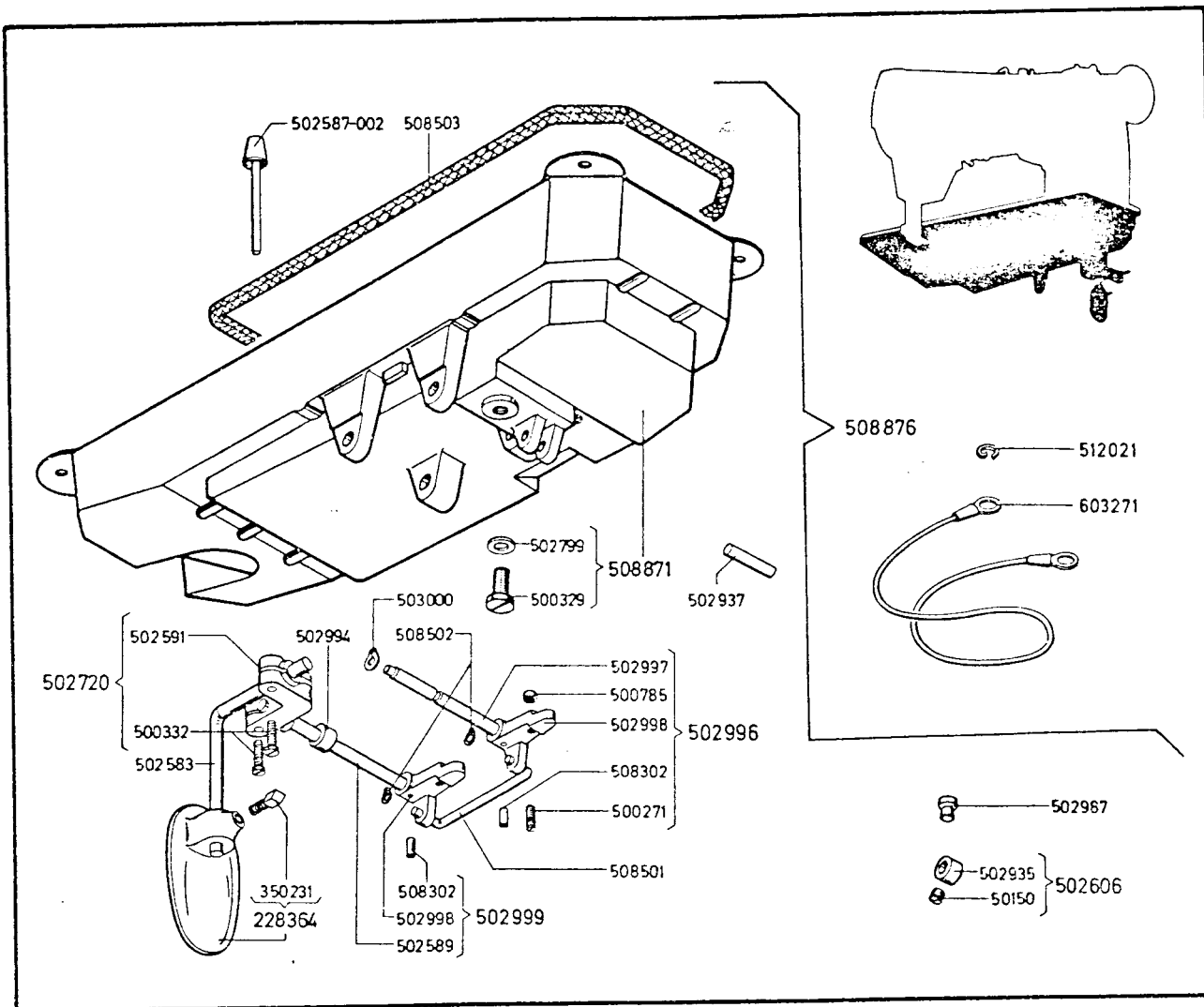
From the library of: Diamond Needle Corp

000201-850	OIL SIGHT BODY SCREW (2)
000207-803	ARM HEAD OIL DRAIN WICK CLAMP SCREW (2)
000998-833	OIL RETURN TUBE SCREW
001186-850	OIL PUMP MOUNTING SCREW (2)
050311-830	OIL PUMP GEAR SET SCREW (2)
500104-850	ARM OIL SHIELD (AERATED PLASTIC) RETAINER SCREW (2)
500115-850	OIL DISTRIBUTOR PLATE SCREW
500268-850	OIL GUARD SCREW (2)
502505	ARM HEAD OIL DRAIN WICK CLAMP (FRONT)
502575	HOOK SHAFT GEAR BOX OIL PIPE
502635-002	OIL DELIVERY TUBE
502643	OIL PUMP BODY
502644	OIL PUMP GEAR
502646	OIL PUMP SCREW SHAFT
502647-002	OIL RETURN TUBE (UPPER) (SHORT)
502648-002	OIL RETURN TUBE (LOWER) (LONG)
502650-002	OIL SIGHT BODY WITH 502651
502651	OIL SIGHT WICK

502702	OIL PUMP GEAR WITH 502644 AND TWO 50311
502752	BED SHAFT BUSHING (CENTER) OIL TUBE PLUG
502764	OIL GUARD
502834	ARM OIL SHIELD (AERATED PLASTIC) RETAINER
502856	HOOK SHAFT GEAR BOX OIL PIPE HOLDER
502890	ARM OIL SHIELD (AERATED PLASTIC)
502916	ARM HEAD OIL DRAIN WICK
502917	OIL RETURN TUBE
502918	ARM HEAD OIL DRAIN WICK CLAMP (UPPER)
502919	ARM HEAD OIL DRAIN WICK CLAMP (BACK)
502946	OIL RETURN TUBE (LOWER) (LONG) CLAMP
508514	OIL DISTRIBUTOR PLATE
508640	OIL RETURN TUBE PLUG
508674	ARM HEAD OIL DRAIN WICK GUARD
508878	FOAM PAD
508943	OIL DISTRIBUTOR PLATE CPL., NOS. 508514 AND 508878
508960	HOOK SHAFT GEAR BOX OIL PIPE

PART NO. DESCRIPTION

PART NO. DESCRIPTION



457 G 103-1700-(1270)

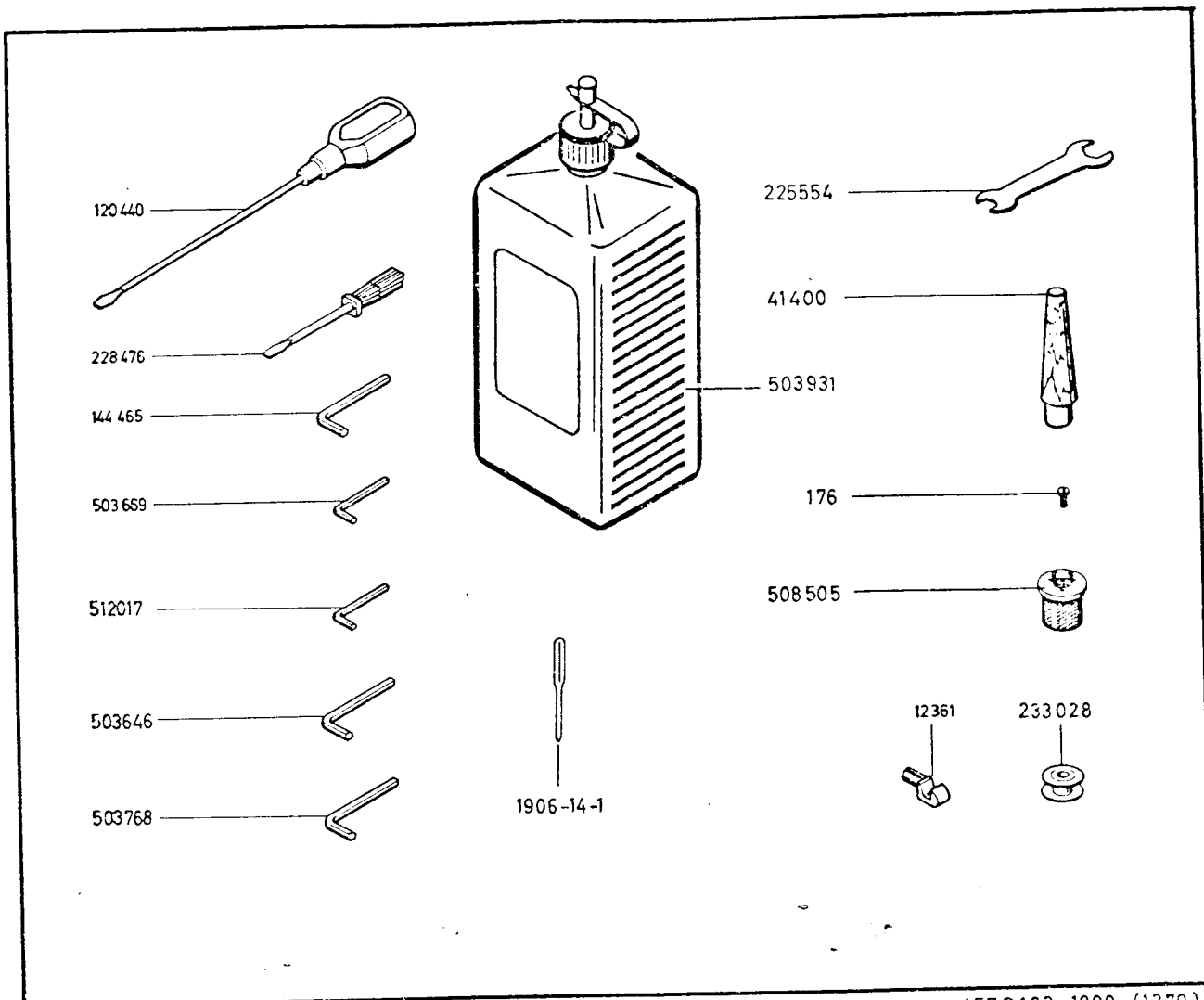
Accessories

050150-833	FEED REVERSING FOOT CONTROL LEVER
228364	K KNEE LIFTER KNEE PLATE WITH 350251
350231-850	K KNEE LIFTER KNEE PLATE SET SCREW
500271-833	K KNEE LIFTER CONTROL SHAFT CRANK STOP SCREW
500329-850	MACHINE BASE AND OIL RESERVOIR PLUG SCREW
500332-850	K KNEE LIFTER SHAFT HUB PINCH SCREW (2)
500785-850	K KNEE LIFTER CONTROL SHAFT CRANK STOP SCREW NUT
502583	K KNEE LIFTER KNEE PLATE ARM
502587-002	K KNEE LIFTER PLUNGER
502589	K KNEE LIFTER ROCK SHAFT
502591	K KNEE LIFTER ROCK SHAFT HUB
502606	FEED FOOT CONTROL LEVER PIN COLLAR 502935 WITH 50150
502720	K KNEE LIFTER ROCK SHAFT HUB 502591 WITH TWO 500332
502799	MACHINE BASE AND OIL RESERVOIR DRAIN PLUG SCREW GASKET
502935	FEED REVERSING FOOT CONTROL LEVER PIN COLLAR
502937	FEED REVERSING FOOT CONTROL LEVER PIN
502987	FEED REVERSING PLUNGER HOLE PLUG (FOR UN-USED HOLE)
502994	KNEE LIFTER ROCK SHAFT SPACER

502996	KNEE LIFTER CONTROL SHAFT CPL. NOS. 500271, 500785, 502997, 502998 AND 508302
502997	KNEE LIFTER CONTROL SHAFT
502998	KNEE LIFTER ROCK SHAFT CRANK
502998	KNEE LIFTER CONTROL SHAFT CRANK
502998	KNEE LIFTER ROCK SHAFT CPL. NOS. 502585, 502998 AND 508302
503000	KNEE LIFTER CONTROL SHAFT GRIP RING
508302	KNEE LIFTER CONTROL SHAFT CRANK PIN (2)
508501	KNEE LIFTER ROCK SHAFT CONNECTION
508502	KNEE LIFTER ROCK SHAFT CONNECTION GRIP RING (2)
508503	MACHINE BASE AND OIL RESERVOIR GASKET
508871	MACHINE BASE AND OIL RESERVOIR WITH 500329 AND 502799
508876	MACHINE BASE OIL RESERVOIR WITH KNEE LIFTER CPL. NOS. 228364, 502587-002, 502583, 502606, 502720, 508871, 502937, 502994, 502996, 508501, 508503, 502999, 503000, 502987 AND TWO 508502
512021	MACHINE GROUNDING WIRE LOCK WASHER
603271	MACHINE GROUNDING WIRE SYMBOL

PART NO. DESCRIPTION

PART NO. DESCRIPTION



457G103-1800-(1270)

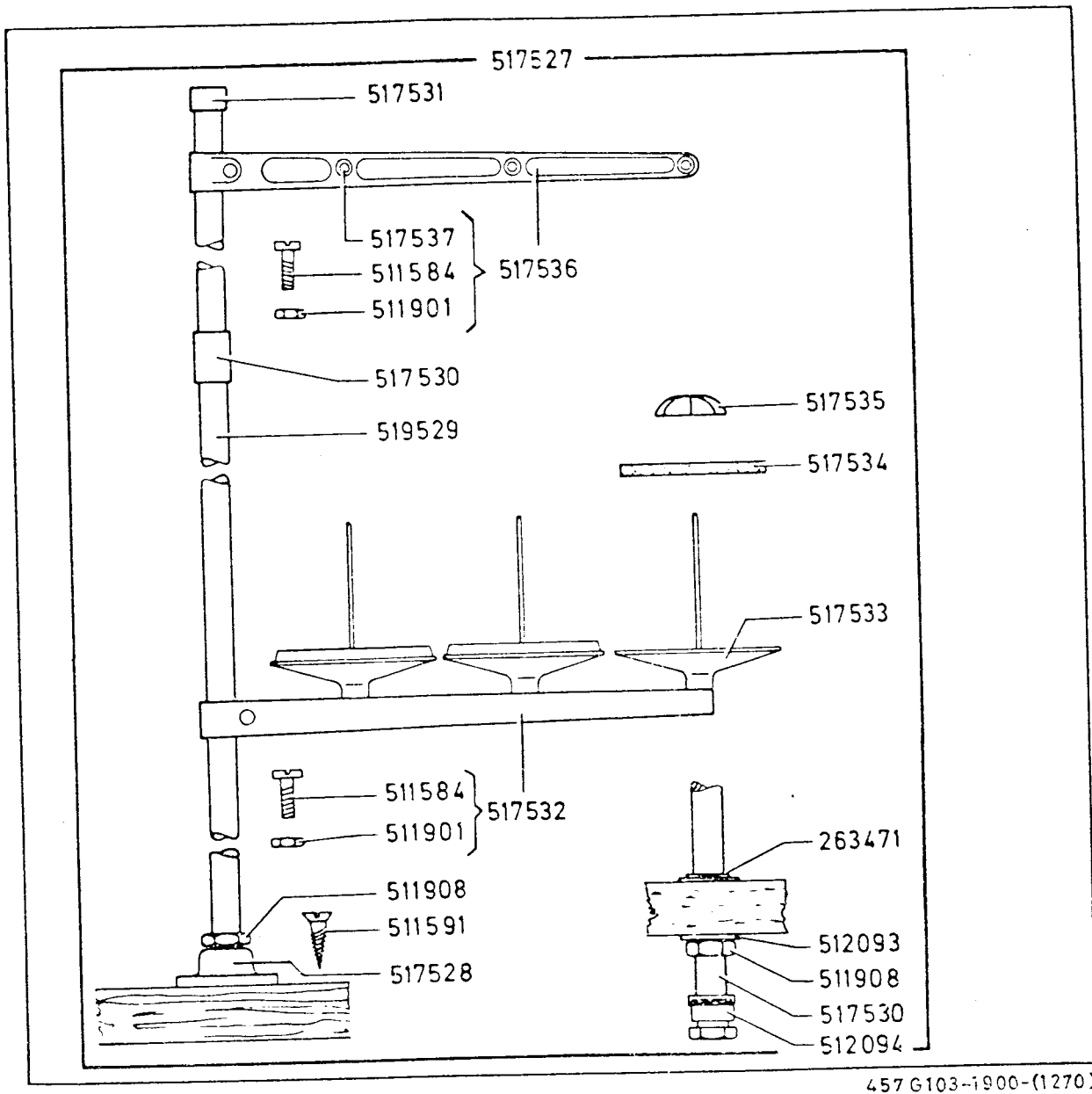
From the library of: Diamond Needle Corp

Accessories

CAT 1906-14-1 NEEDLE (5)
 000176-850 ROTARY TAKE-UP GUARD COVER WINDOW SCREW
 000176-850 ATTACHMENT SCREW
 012361 MACHINE HINGE CONNECTION (2)
 041400 MACHINE REST PIN (WOOD)
 120440 SCREW DRIVER
 144465 WRENCH (12mm HEXAGON)
 225554 WRENCH

228476 SCREW DRIVER (BOBBIN CASE)
 233028 BOBBIN
 503646 WRENCH (12mm HEXAGON)
 503669 WRENCH (15/64 INCH HEXAGON)
 503768 WRENCH (13mm HEXAGON)
 503731 OIL FILTER WITH SPOUT AND OIL (1 LTR.)
 508505 OIL FILTER WITH OIL FILTER MOUNTING SUPPORT
 512017 WRENCH (14mm HEXAGON)

PART NO.	DESCRIPTION	PART NO.	DESCRIPTION
----------	-------------	----------	-------------



457 G103-1900-(1270)

Accessories

263471 THREAD UNWINDER ROD RETAINING RING
 511584-850 THREAD UNWINDER SPOOL CARRIER ARM SCREW
 511584-850 THREAD UNWINDER THREAD GUIDE SCREW
 511591-819 THREAD UNWINDER WOOD SCREW (3)
 511901-830 THREAD UNWINDER SPOOL CARRIER ARM NUT
 511901-830 THREAD UNWINDER THREAD GUIDE NUT
 511908-850 THREAD UNWINDER ROD NUT (2)
 512093 THREAD UNWINDER ROD WASHER (2)
 512094 THREAD UNWINDER SCREWED GLAND
 517527 THREAD UNWINDER CPL., NOS. 263471, 511908,
 512094, 517528, 517530, 517532, 517531, 517532,
 517536, TWO EACH 512093, 517529 AND EACH
 511591, 517533, 517534 AND 517535

517528 THREAD UNWINDER FOOT
 517529 THREAD UNWINDER ROD (2)
 517530 THREAD UNWINDER ROD CONNECTION
 517530 THREAD UNWINDER PLAIN COUPLER
 517531 THREAD UNWINDER ROD CAP
 517532 THREAD UNWINDER SPOOL CARRIER ARM
 WITH 511584 AND 511901
 517533 THREAD UNWINDER SPOOL CARRIER PLATE (3)
 517534 THREAD UNWINDER SPOOL CUSHION (3)
 517535 THREAD UNWINDER SPOOL HOLDER (3)
 517536 THREAD UNWINDER THREAD GUIDE WITH 511584,
 511901 AND THREE 517537
 517537 THREAD UNWINDER THREAD GUIDE BUSHING (3)

PART NO. DESCRIPTION

PART NO. DESCRIPTION